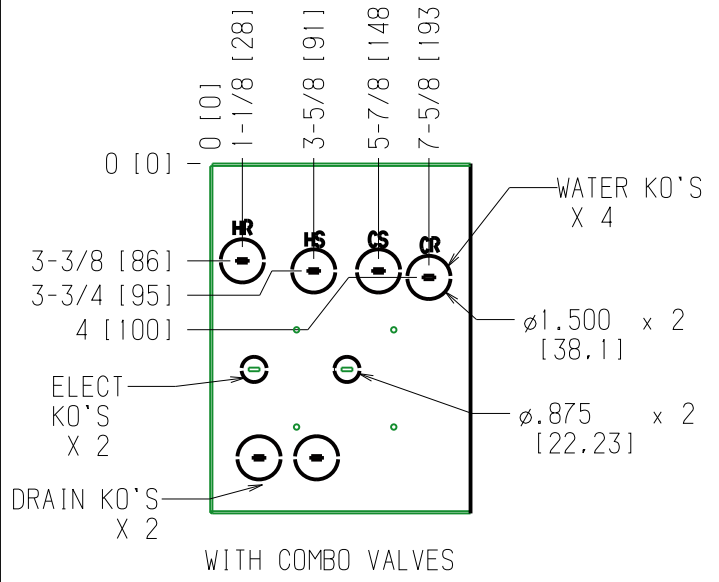
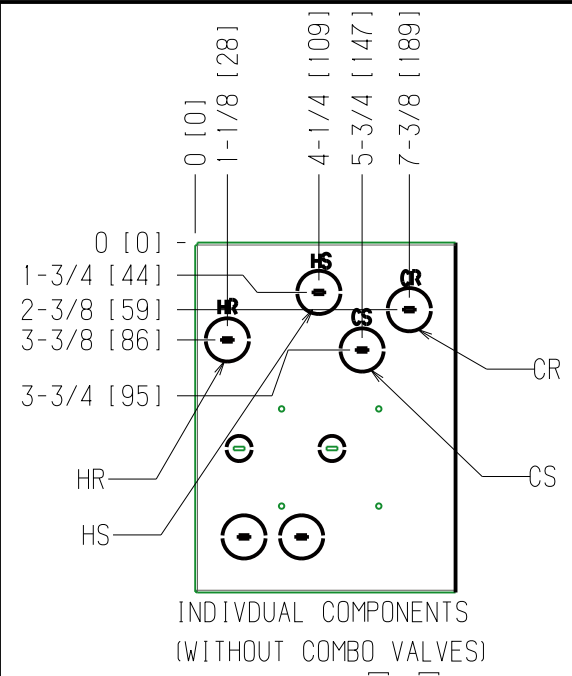
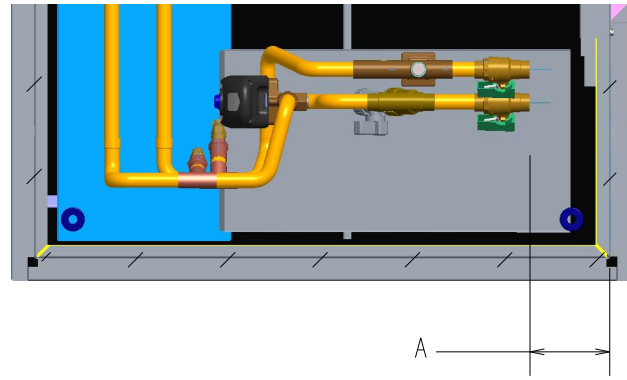


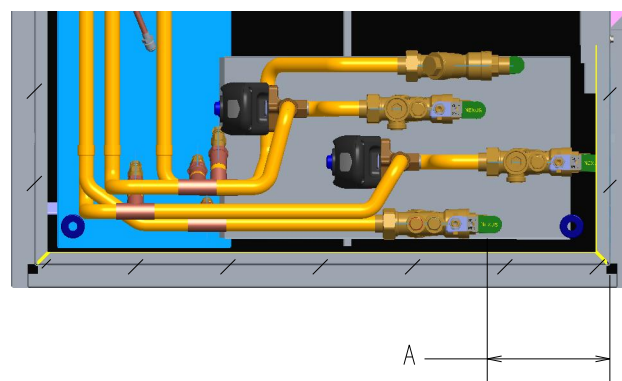
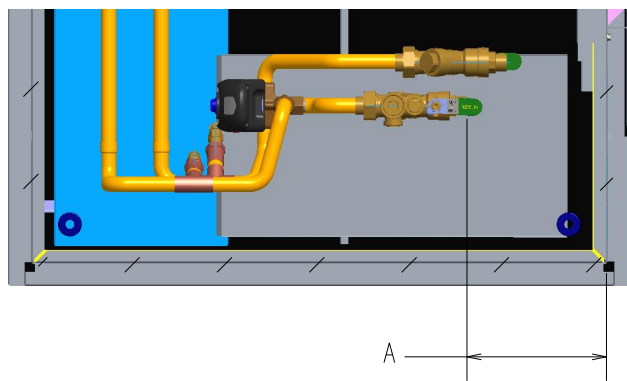
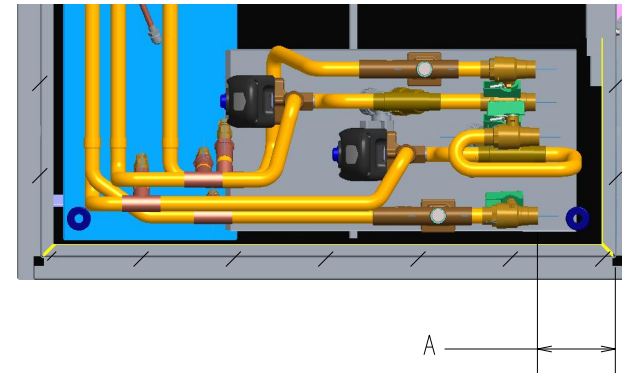
REVISION HISTORY		
REV	DATE	ECN
-	05/01/18	18-0608
A	01/24/22	22-0054



2 PIPE HEATING/COOLING



4 PIPE HEATING/COOLING




**PARTIAL REAR VIEWS OF CB/CX UNITS**

LH SIDE SHOWN  
RH OPPOSITE

DIMENSIONS - INCHES AND (MILLIMETERS)		
	A	
NO COMBO VALVES	SUPPLY	RET
3 WAY TACO/ERIE COOL	3 5/16 (84)	3 5/16 (84)
3 WAY TACO/ERIE HEAT	3 3/16 (81)	3 3/16 (81)
3 WAY MODULATING COOL	3 5/16 (84)	3 5/16 (84)
3 WAY MODULATING HEAT	3 1/8 (79)	1 5/8 (41)
2 WAY TACO/ERIE COOL	3 1/4 (83)	3 1/4 (83)
2 WAY TACO/ERIE HEAT	3 1/4 (83)	3 1/4 (83)
2 WAY MODULATING COOL	3 3/8 (86)	3 3/8 (86)
2 WAY MODULATING HEAT	3 3/16 (81)	1 1/4 (32)
COMBO VALVES		
3 WAY TACO/ERIE COOL	5 1/8 (130)	6 1/4 (159)
3 WAY TACO/ERIE HEAT	1 1/2 (38)	3 3/16 (81)
3 WAY MODULATING COOL	3 1/4 (83)	4 7/16 (113)
3 WAY MODULATING HEAT	1 9/16 (40)	1 9/16 (40)
2 WAY TACO/ERIE COOL	4 1/8 (105)	5 3/4 (146)
2 WAY TACO/ERIE HEAT	13/16 (21)	5 1/8 (130)
2 WAY MODULATING COOL	4 3/8 (111)	3 1/4 (83)
2 WAY MODULATING HEAT	6 (152)	3 5/8 (92)

- NOTES:
1. ALL DIMENSIONS ARE ± 1/4" (6.3 MM)
  2. TACO VALVES SHOWN FOR REFERENCE ONLY
  3. COMPONENT LOCATION AND ACCESS MAY VARY
  4. COIL STUBOUT LENGTH MAY VARY DEPENDING ON UNIT SIZE

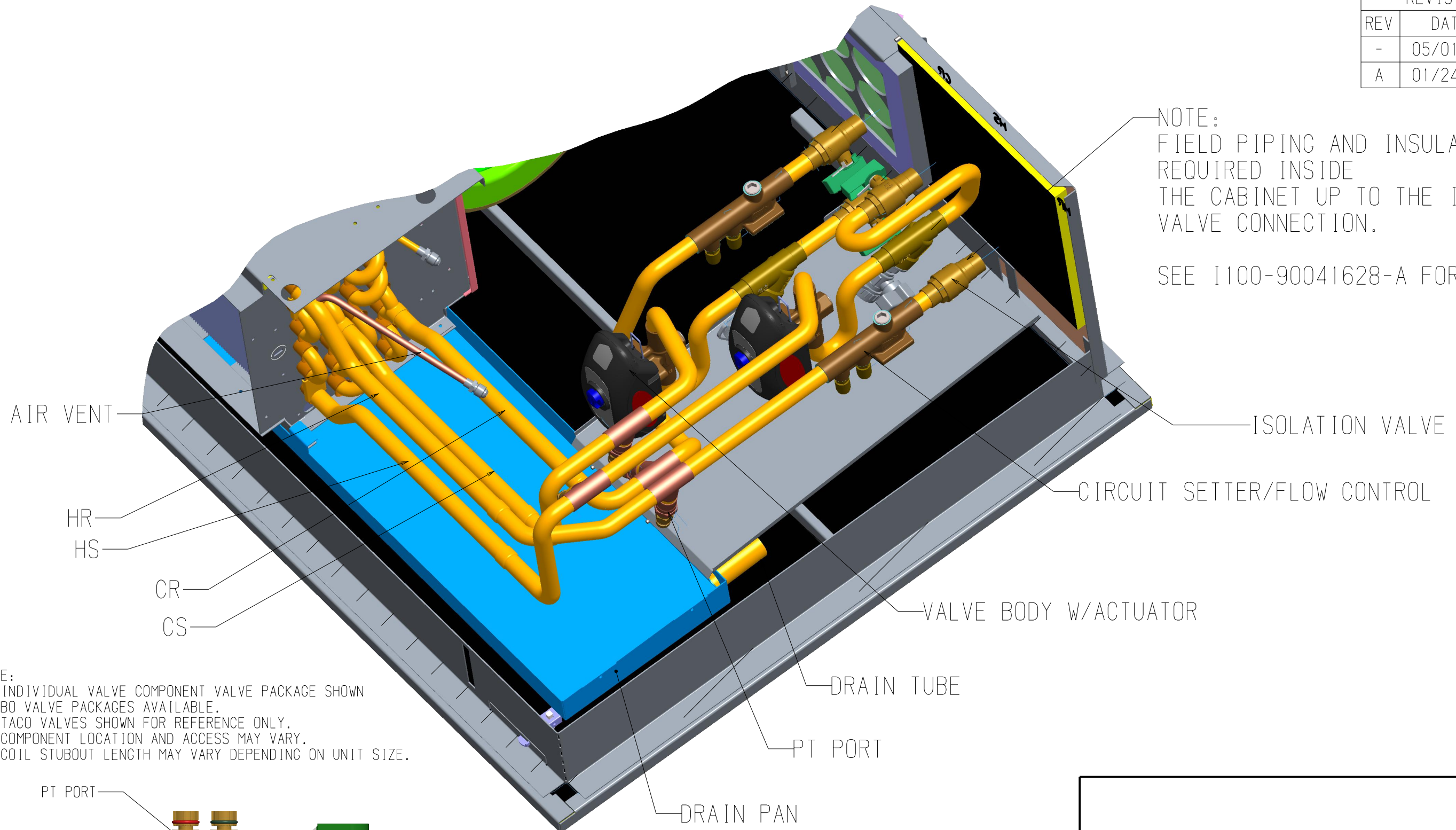


TITLE			
VALVE PACKAGE SUPPLEMENT CB/CX UNITS			
DWC NO			REV
<b>1100-90041628-A</b>			<b>A</b>
DRAWN	DATE	APPROVED	DATE
J. FUSON	03/19/20	S. STOTTS	03/19/20

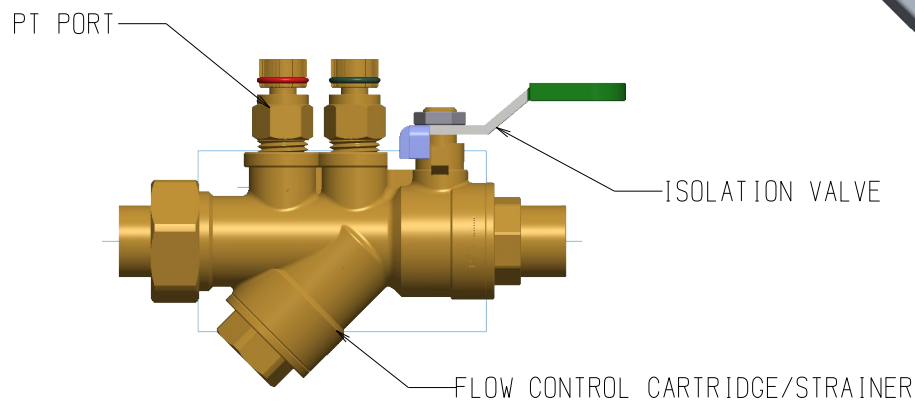
REVISION HISTORY		
REV	DATE	ECN
-	05/01/18	18-0608
A	01/24/22	22-0054

NOTE:  
FIELD PIPING AND INSULATION  
REQUIRED INSIDE  
THE CABINET UP TO THE ISOLATION  
VALVE CONNECTION.

SEE I100-90041628-A FOR DISTANCES



NOTE:  
1. INDIVIDUAL VALVE COMPONENT VALVE PACKAGE SHOWN  
COMBO VALVE PACKAGES AVAILABLE.  
2. TACO VALVES SHOWN FOR REFERENCE ONLY.  
3. COMPONENT LOCATION AND ACCESS MAY VARY.  
4. COIL STUBOUT LENGTH MAY VARY DEPENDING ON UNIT SIZE.



TITLE			
VALVE PACKAGE SUPPLEMENT CB/CX UNITS			
DWG NO			REV
<b>I100-90041628-B</b>			<b>A</b>
DRAWN	DATE	APPROVED	DATE
J. FUSON	03/19/20	S. STOTTS	03/19/20